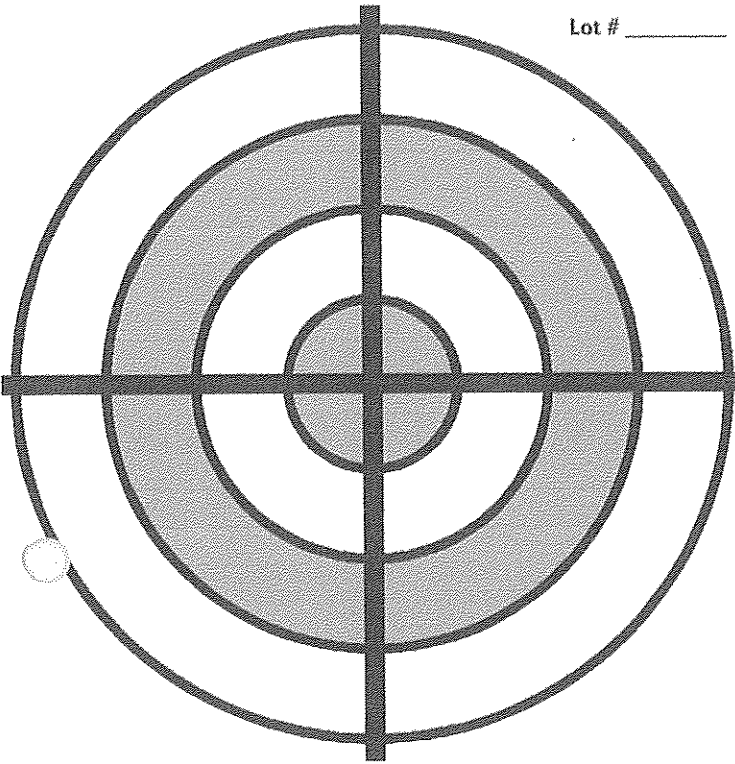
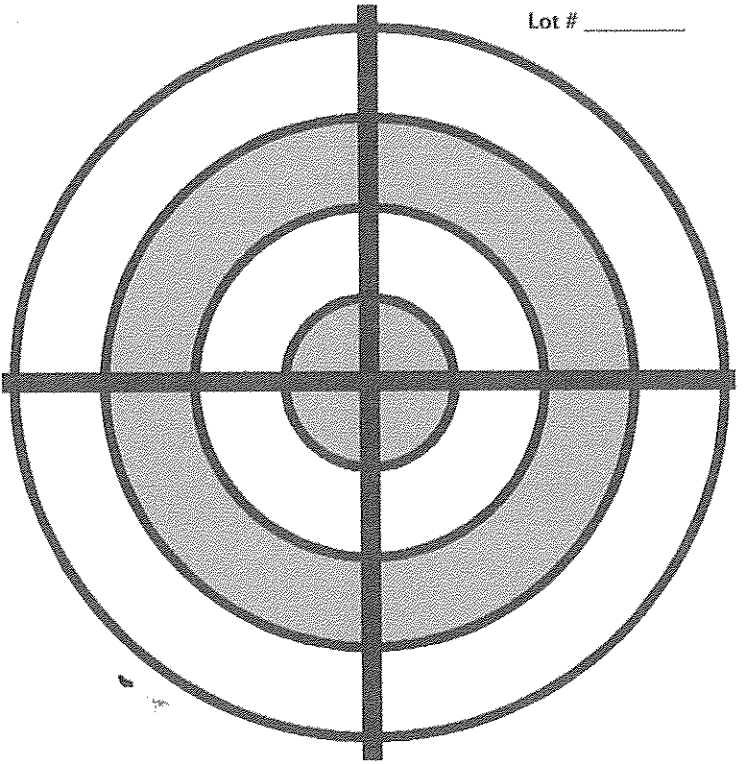


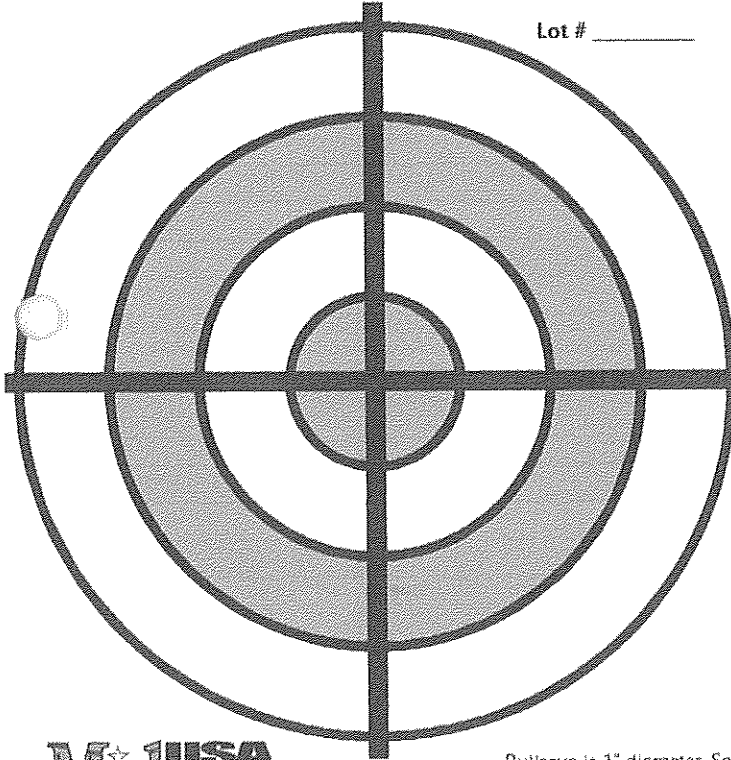
A Group Size
Lot # _____



B Group Size
Lot # _____



C Group Size
Lot # _____



D Group Size
Lot # _____

